



## Art. Nr.: CTB 81.35 CTB 81.35



### Dimensions:

Bus bar 1 in mm:	80x10
Bus bar 2 in mm:	60x30
Round conductor in mm:	55
Width in mm:	120
Height in mm:	135
Depth in mm:	52

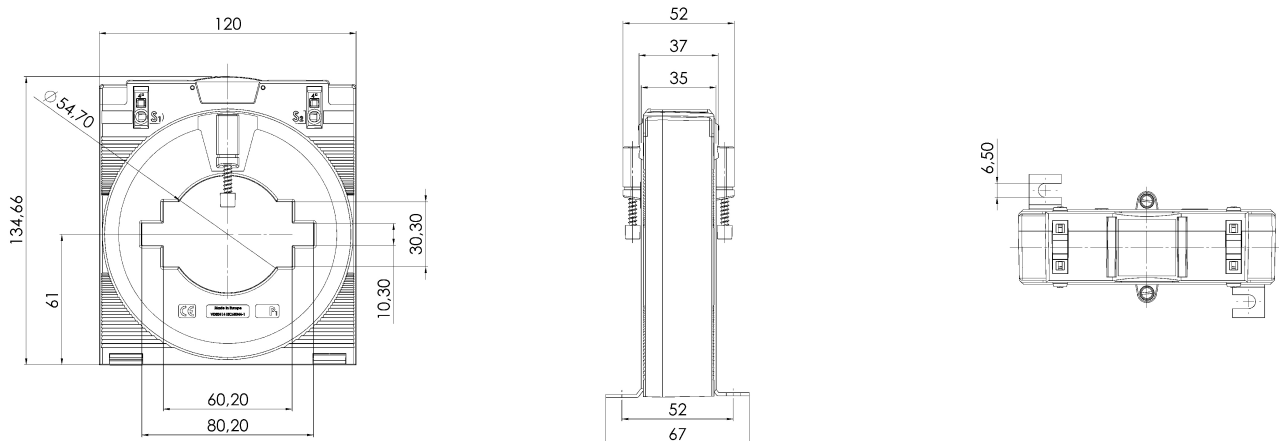
### Technical Data:

Therm. nominal continuous current $I_{cth}$ :	$1,2 \times I_{pr}$
Therm. nominal short-time current $I_{th}$ :	$60 \times I_{pr}$ , 1 Sek.
Max. operating voltage $U_m$ :	1,2 kV
Isolation test voltage:	6 kV, $U_{eff}$ , 50 Hz, 1 Min.
Nominal rated frequency:	50 Hz
Isolation class:	E

### General Technical Data:

Over-current limiting factor:	See rating plate
Working temperature range:	$-5^{\circ}\text{C} < T < +50^{\circ}\text{C}$
Storage temperature range:	$-25^{\circ}\text{C} < T < +70^{\circ}\text{C}$
Custom tariff number	85043129
Applied standards 1	DIN EN 61869-1/2
Applied standards 2	DIN EN 42600-1/2
UL certificated:	Certificate Number - 20100426-E336996

### Technical Drawing:



### Contact:

MBS AG - Eisbachstrasse 51 - D-74429 Sulzbach-Laufen - [www.mbs-ag.com](http://www.mbs-ag.com)  
Tel.: +49 7976 9851-0 - Telefax: +49 7976 9851-90 - [verkauf@mbs-ag.com](mailto:verkauf@mbs-ag.com)

Date: 12.05.2022